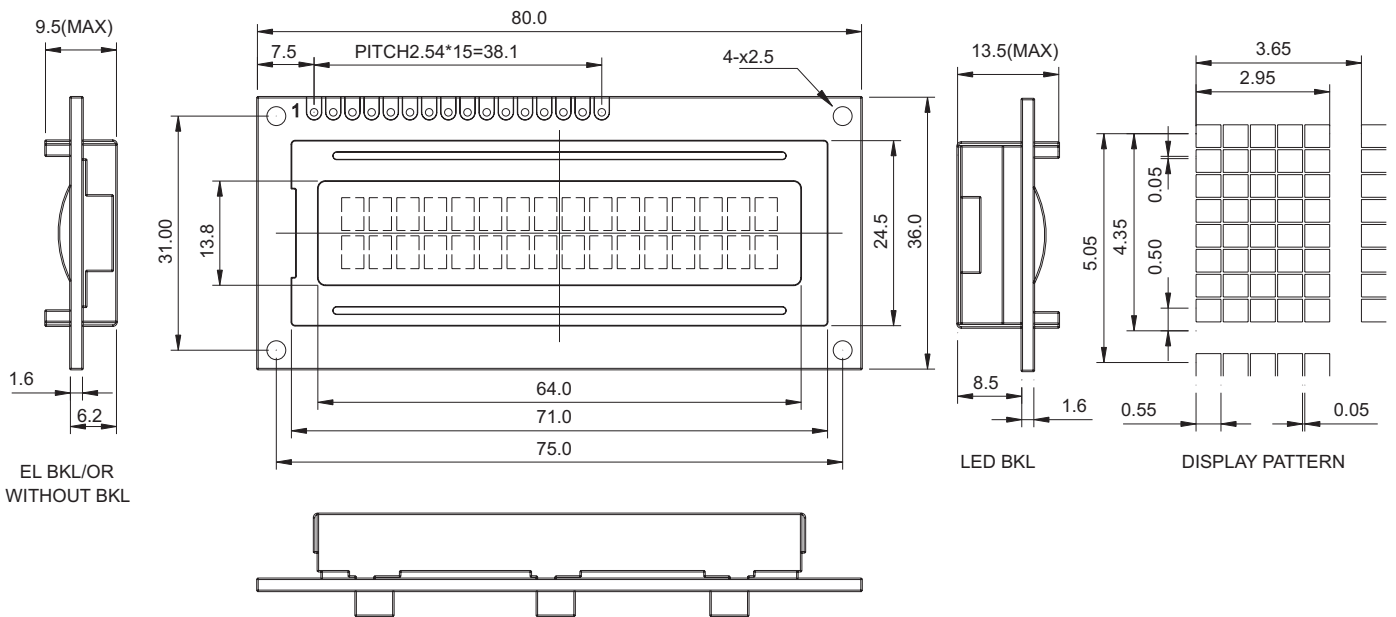


## EL 1602A



EL BKL/OR  
WITHOUT BKL

LED BKL

DISPLAY PATTERN

### Interface Pin Connection

Pin	Signal	Pin	Signal
1	VSS	9	DB2
2	VDD	10	DB3
3	V0	11	DB4
4	RS	12	DB5
5	R/W	13	DB6
6	E	14	DB7
7	DB0	15	A
8	DB1	16	K

### Features

- 5x8 dots with cursor
- Built-in controller
- 1/16 duty cycle
- BKL to be driven by pin 1,2 or 15,16 or A,K

### Mechanical Data

Item	Standard	Unit
Module dimension	80.0 x 36.0	mm
Viewing Area	64 x 13.8	mm
Dot Size	0.55 x 0.50	mm
Character size	2.99 x 4.35	mm

### Absolute Maximum Rating

Item	Symbol	Standard			Unit
		Min.	Typ.	Max.	
Power supply	VDD-VSS	-0.3	--	5.5	V
Input voltage	VI	-0.3	--	VDD	

### Electronical characteristic

Item	Symbol	Condition	Standard			Unit
			Min.	Typ.	Max.	
Input voltage	VDD	+5V	4.7	5.0	5.5	V
		+3.3V	2.7	3.0	5.3	V
Supply current	I <sub>dd</sub>	VDD=5V	--	1.5	4	mA
Recomended LCD driving voltage for normal temp	VDD-V0	-20°C	--	--	--	V
		0°C	4.7	5.0	5.5	
		25°C	4.3	4.5	4.7	
		50°C	4.1	4.3	4.5	
		70°C	--	--	--	
LED forward voltage	V <sub>F</sub>	25°C	--	4.2	4.6	V
LED forward current	I <sub>F</sub>	25°C	--	120	--	mA
EL power supply current	I <sub>el</sub>	Vel=110V AC 400Hz	--	--	--	mA

### Display character address code:

Display position	1 2 3 4 5 6 7 8 9 10 11 12 13 14 15 16
DDRAM address	00 01 ----- 0FH
	40 41 42 ----- 4H